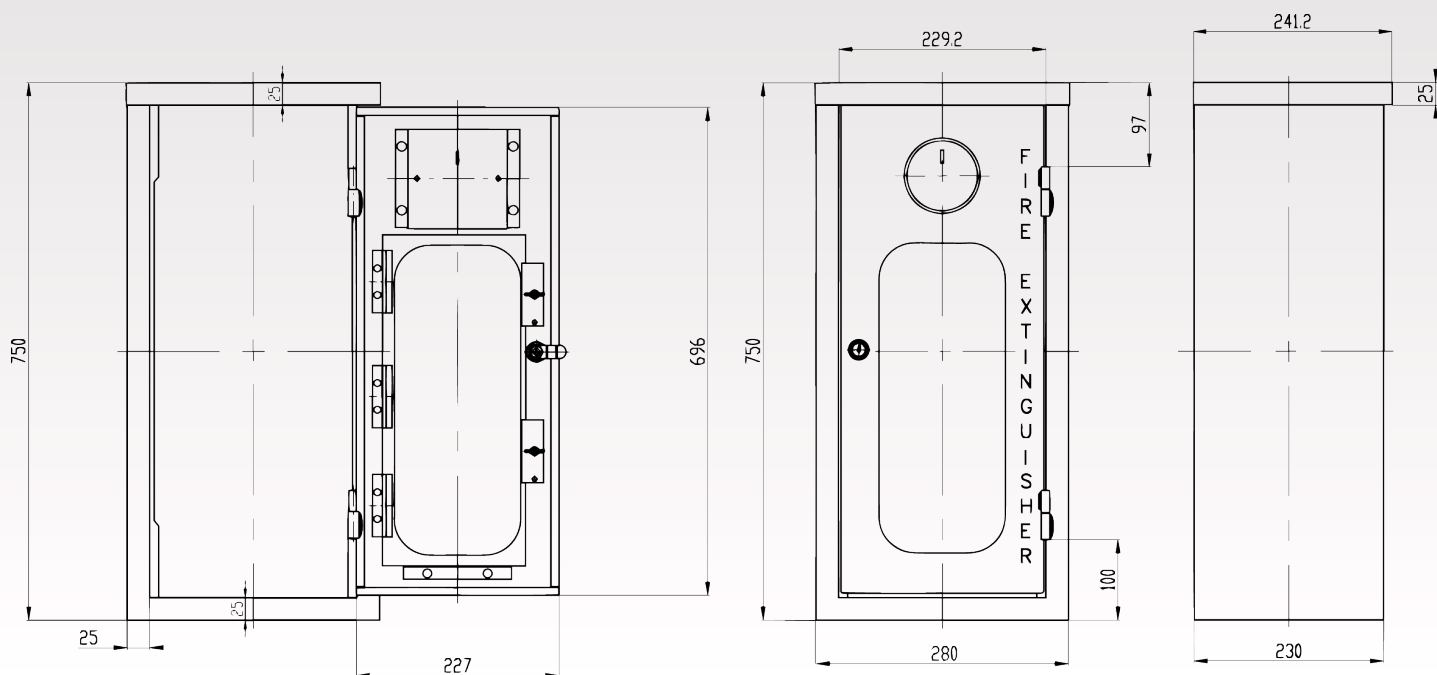


TECHNICAL DATA SHEET

FlameStop's high quality metal fire extinguisher cabinets are designed to protect fire extinguishers from the environment and reduce the opportunity for intentional misuse and theft. The cabinets feature break glass window with key and 003 lock to allow access for servicing and access for the fire brigade. The fire extinguisher cabinet is made from quality steel that has been powder coated and features a polycarbonate break glass window.



Part Number	WCFEX169B
Box Quantity	1
Construction	Steel
Dimensions	W280 x D230 x H750mm
Finish	Powder Coated Red
Locking	003 lock & key
Pallet Quantity	18
Suits	Extinguishers up to 9kg

NOTE: WCFEXDG-9KGPP PERSPEX DOOR GLASS FOR 9KG CABINET (W135 X D2 X H365MM - 2MM THICK. EXTINGUISHER SOLD SEPARATELY.